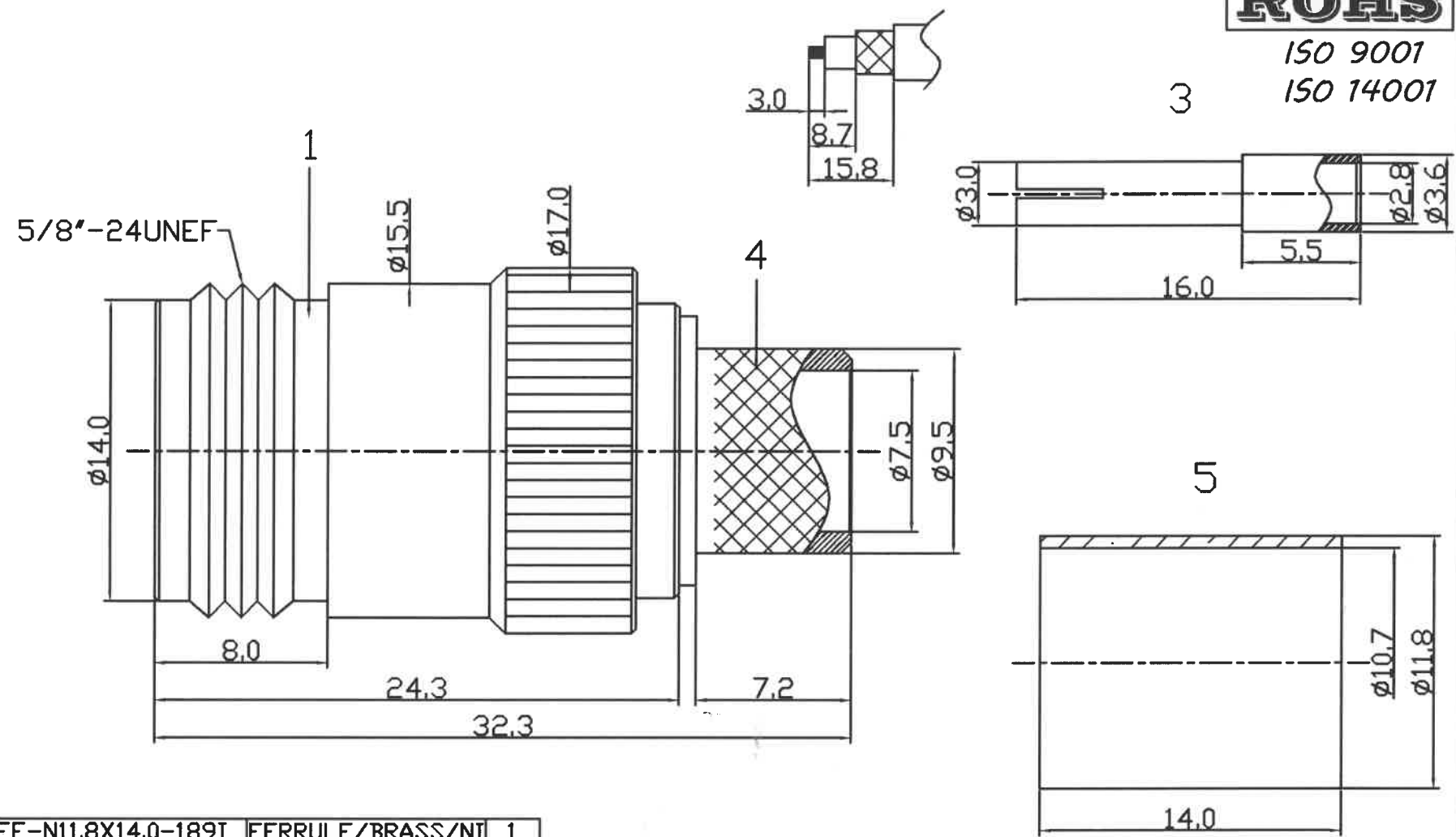


ROHS

ISO 9001
ISO 14001



5	FE-N11.8X14.0-189I	FERRULE/BRASS/NI	1
4	BT-N12.5X11.8-145B	BODY/BRASS/ NI	1
3	PI-G3.6X16.0-490B	PIN/PHOSPHOR BRONZE/GOLD	1
2	TM-W9.6X7.0-469	INSULATOR/PTFE/WHITE	1
1	TC-N17.0X24.3-463B	BODY/BRASS/NI	1
NO	DESCRIPTION	MATERIAL / FINISH	Q'TY
Part NO	CR-NF0LMR400-689D		

Material:		Treatment:					
Drawer	Design	Aprov	Tolerance	Unit: mm		TITLE	N F CFD400
			X=±0,5	Ver: A	Scale 4:1	Model NO	
			.X=±0,2	File NO: QR0402	Drawing NO	606-050-001-102	
			.XX=±0,1				
			.XX=±0,05				