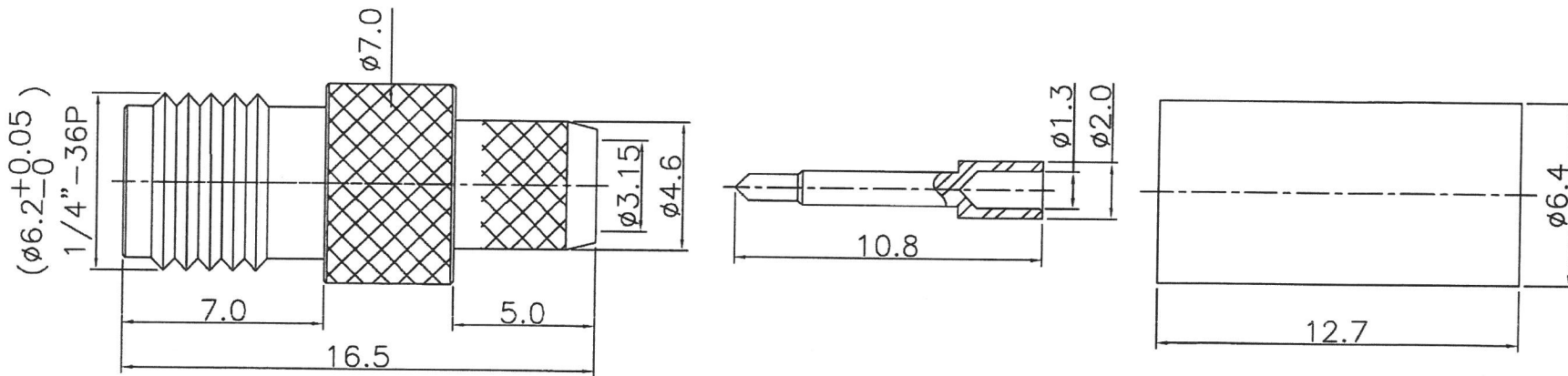


ROHS

ISO 9001
ISO 14001



Material:		Treatment:					
Drawer	Design	Aprov	Tolerance	Unit: mm		TITLE	RP SMA F CFD200
			X=±0.5	Ver: A	Scale 5:1	Model NO	
			X=±0.2	File NO: QR0402	Drawing NO	602-2-009-006-103	
			XX=±0.1				
			XXX=±0.05				
Part NO	CR-SMAFCFD200-686A/B/D						