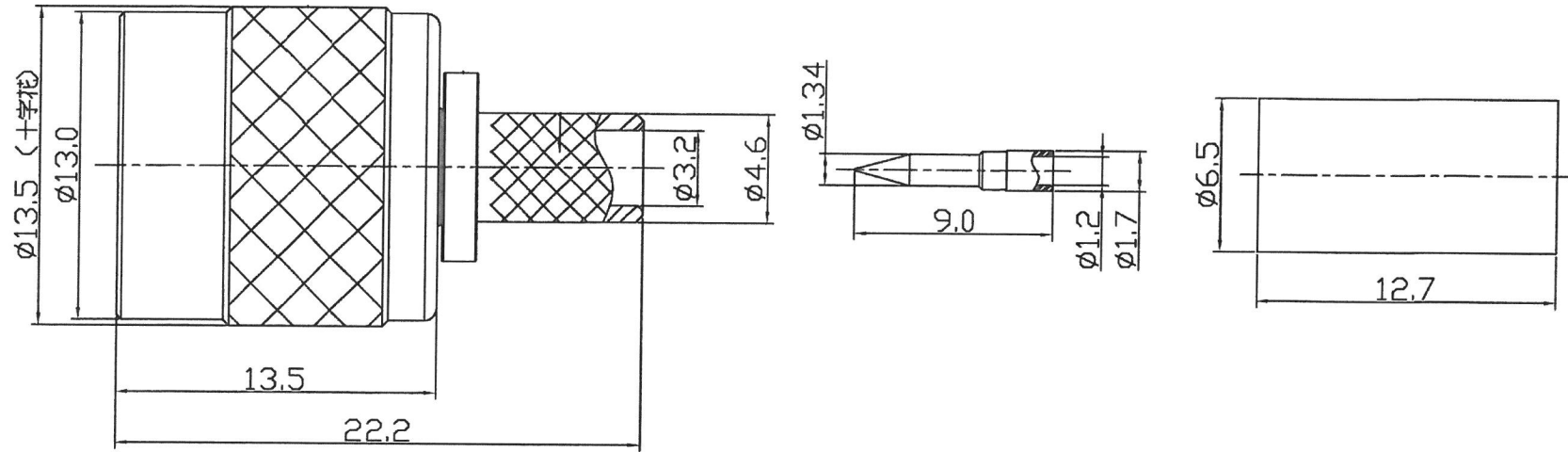


ROHS

ISO 9001
ISO 14001



Material:		Treatment:					
Drawer	Design	Approv	Tolerance	Unit: mm		TITLE	TNC CFD-200
			X=±0.5 X=±0.2 XX=±0.1 XXX=±0.05	Ver: A	Scale 4:1	Model NO	
Part NO	CR-TNCCFD200-580A/B/D			File NO: QR0402		Drawing NO	607-007-103