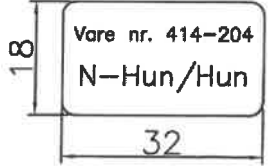


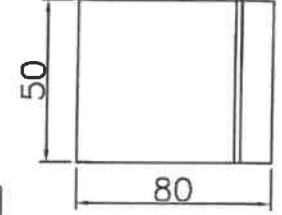
ROHS

ISO 9001
ISO 14001

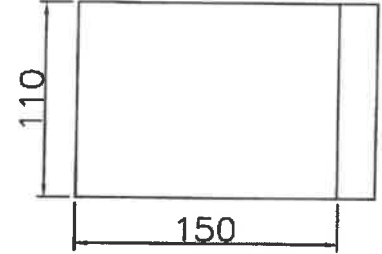
single-packing sticker



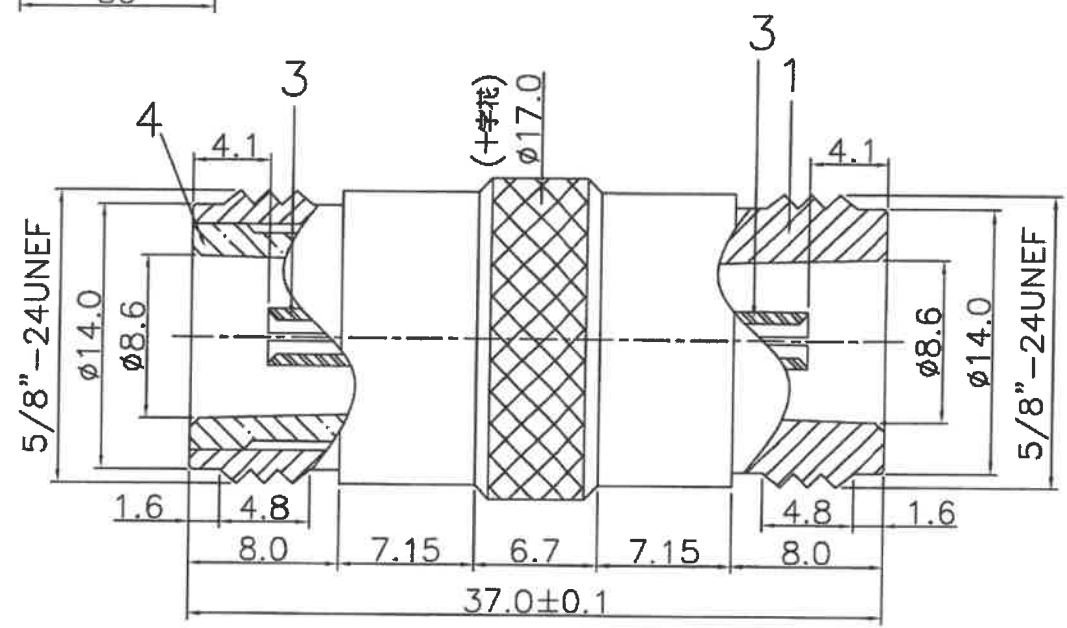
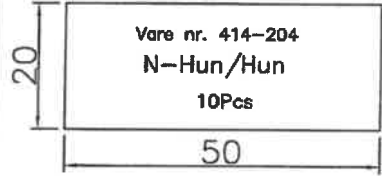
single-packing zipper bag



10pcs PE bag



10pcs sticker



| | | | | | | | | | | | |
|----|-------------|------------------------|------|-----------|------------|------------|------------|-----------------|-----------|------------|---------------|
| 4 | LINNER TUBE | BRASS / NI | 1 | Material: | Treatment: | TRANSVOICE | | | | | |
| 3 | PIN | PHOSPHOR BRONZE / GOLD | 1 | | | | | | | | |
| 2 | INSULATOR | PTFE / WHITE | 1 | Drawer | Design | Aprov | Tolerance | Unit: mm | | TITLE | N F TO N F |
| 1 | BODY | BRASS / NI | 1 | | | | X=±0.5 | Ver: A | Scale 3:1 | Model NO | 414-204 |
| NO | DESCRIPTION | MATERIAL / FINISH | Q*TY | | | | .X=±0.2 | File NO: QRO402 | | Drawing NO | 100-27001-121 |
| | Part NO | XP-CR590-6091 | | | | | .XX=±0.1 | | | | |
| | | | | | | | .XXX=±0.05 | | | | |