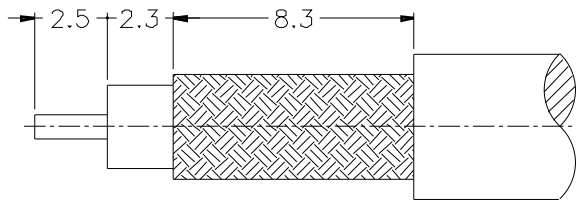
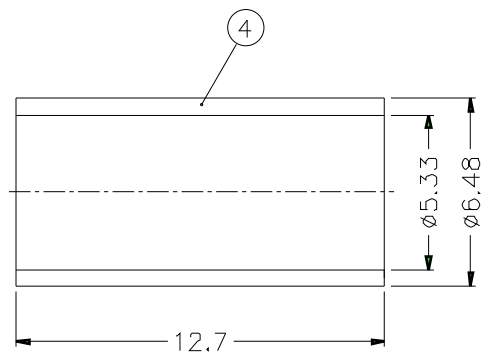
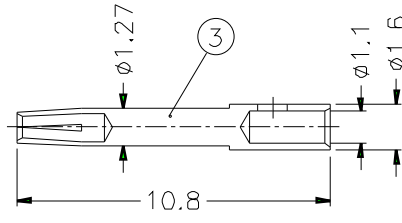
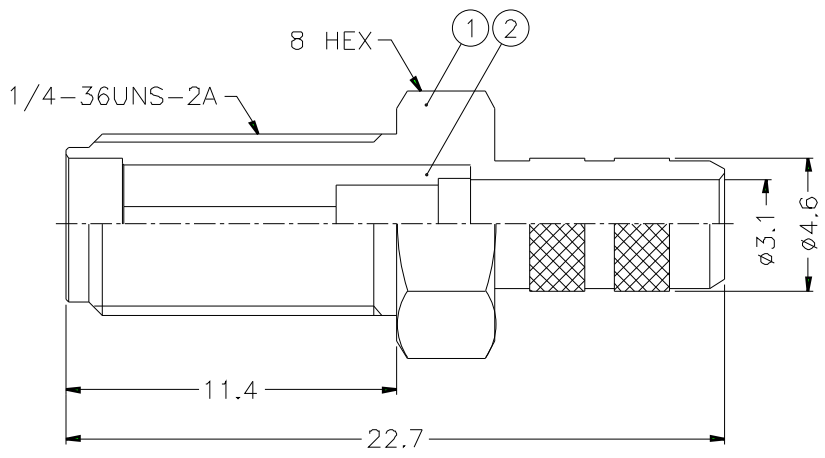


| | | | | | | | | | | | | | | | |
|-----------|------|------------------------------|--|---|--|---|--|---|--|---|--|---|--|---|--|
| 1 | | 2 | | 3 | | 4 | | 5 | | 6 | | 7 | | 8 | |
| REVISIONS | | | | | | | | | | | | | | | |
| ISS | ZONE | DESCRIPTION\PER REQUEST\DATE | | | | | | | | | | | | | |
| | | | | | | | | | | | | | | | |



RECOMMENDED
CABLE STRIPPING DIM'S



NOTES: FINISH (PLATING THICKNESS IN MICRO-INCHES)
 1. BRASS PER QQ-B-626
 2. NICKEL PL. 100 MIN. THICK OVER COPPER STRIKE
 3. BERYLLIUM COPPER PER QQ-C-530
 4. GOLD PL. 50 MIN. THICK OVER NICKEL PL. 100 MIN. THICK OVER COPPER STRIKE
 5. TEFLON MIL-P-19468

1. CRIMPED FERRULE
 HEX CRIMP SIZE .213"
 2. CONTACT PIN TO SOLDER

| | | | | | | | | | | | | | | | | | |
|-----|--|-------------|----------|---------|------|-----------------------|---|--|--|-------------------------------|-----|---|--|--|--|-------|---|
| 4 | | FERRULE | COPPER | NOTE 2 | 1 | FR-648/533X 127C | DIMENSIONS ARE IN MILLIMETERS | | | PART NO. SMA6111A1-NT50G-1-50 | | <h1>Amphenol</h1> <p>TITLE SMA CRIMP JACK (FOR RG-58C/U CABLE)</p> <p>DRAWING NO. KJ-SMA6111A1-NT50G-58U-50</p> <p>ITEM NO.</p> | | | | | |
| 3 | | CONTACT PIN | NOTE 3 | NOTE 4 | 1 | SMA7000-3-16/ 11 | UNLESS OTHERWISE SPECIFIED TOLERANCES 0.5-6 = ±0.2 6-30 = ±0.4 30-120 = ±0.6 120-315 = ±1 315-1000 = ±1.6 1000-2000 = ±2.4 | | | APPROVED | | | | | | DATE | |
| 2 | | INSULATOR | NOTE 5 | NATURAL | 1 | SMA7000-2T-50 | | | | CHECKED | | | | | | DATE | |
| 1 | | BODY | NOTE 1 | NOTE 2 | 1 | SMA7000-1-46/ 31-C | | | | DRAWN | | | | | | DATE | |
| NO. | | DESCRIPTION | MATERIAL | FINISH | Q'TY | DRAWING NO. | | | | SCALE | 4/1 | | | | | ISSUE | A |

| | | | | | | | | | | | | | | | |
|---|--|---|--|---|--|---|--|---|--|---|--|---|--|---|--|
| 1 | | 2 | | 3 | | 4 | | 5 | | 6 | | 7 | | 8 | |
|---|--|---|--|---|--|---|--|---|--|---|--|---|--|---|--|