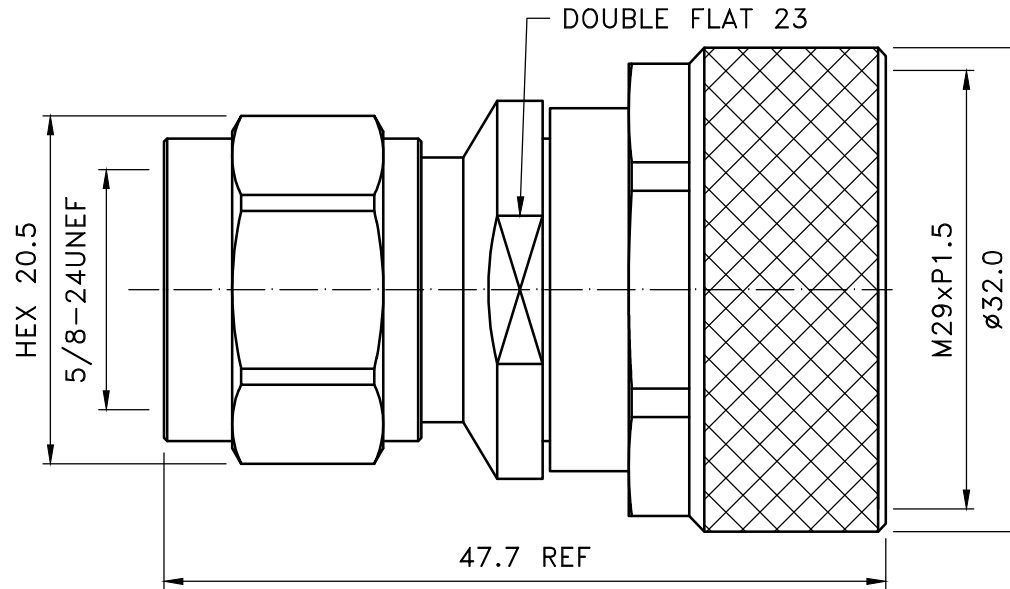


REV	DATE	DESCRIPTION	DRAWN
△	05/11/18	已校正	



**Prohibit re-circulating**

7	GASKET	SILICONE	RED	1
6	RETAINING	BRASS	NICKEL	1
5	CHASSIS	BRASS	NICKEL	1
4	SHELL	BRASS	NICKEL	1
3	DIELECTRIC	PTFE	WHITE	1
2	PIN	BRASS	GOLD	1
1	BODY	BRASS	NICKEL	1
NO	DESCRIPTION	MATERIAL	FINISH	Q'ty



 華耀科技有限公司  
Hwa Yao Technologies co.,Ltd

TITLE N MALE TO 7/16 MALE		
DRAWING NO. 716-2101-2-TGN		
APPROVED	DRAWN DATE 05/11/18	
CHECKED	SCALE 2:1	
DRAWN ALICE	UNIT mm	SL

NOTE	DIMENSION
1. STRIP ALL BURRS.	UNLESS OTHERWISE NOTED TOLERANCES  X=±0.3 0.X=±0.2 0.XX=±0.1
2. ALL DIMENSIONS ARE AFTER PLATING.	
3. DIAMETERS ON COMMON CENTERS TO BE CONCENTRIC WITHIN 0.1 T.I.R	
4. CHAMFER 1ST & LAST THREADS 45°	
5. BREAK ALL CONNERS & EDGES CO.15 MAX.	