



Anchor Bolts for Concrete Foundation (3 pcs.)

Code: E9162



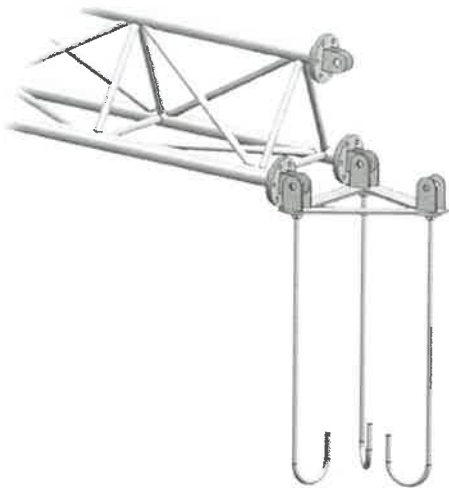
View of the anchor bolts



View of the accessories



The long thread on the bolts allows for plumbing the tower



Mounting sketch

Anchor bolts for concrete foundation with bolt diameter 12 mm, for erecting masts/towers composed of tower sections [E9160](#)

An example of tower construction



E9161 base mounted to the E9162 anchor bolts and supporting the first MK E9160 tower section



View of the form work for the foundation of the MK tower



The fresh concrete foundation of the tower with the embedded anchor bolts and the base mounted on them



A ready foundation with the MK tower in place

Specifications

Name	Anchor Bolts (3 pcs.)
Code	E9162
Material	Steel, galvanized steel
Bolt diameter [mm]	12
Dimensions [mm]	450 x 85 x 37
Weight [kg]	1.6