

**MOTOTRBO™**  
**SLR 8000 SERIES**  
**REPEATER**

# MOTOTRBO SLR 8000 SERIES



- Next-generation high power repeater
- Built on same platform as SLR 5000
- Flexible configuration
- Graceful migration
- Future-ready



# VALUE PROPOSITION



## PERFORMANCE

1-100W output power, outstanding Tx and Rx specifications, dual DC options, 5A battery charger

## RELIABILITY

Advanced thermal management, optimised heat sinks and fans, rugged, advanced power amplifier

## FLEXIBILITY

Factory configurable options such as wireline cards, preselectors and duplexers

## SERVICEABILITY

FRU units inherit purchased feature sets, enhanced RDAC functionality, modular design

# NEXT-GENERATION REPEATERS



**MTR 3000**

High power: 1-100 W  
Higher performance  
Advanced features



**SLR 8000**



**DR 3000**

Standard power: 1-50W  
Standard performance  
Standard features



**SLR 5500**

# HIGH PERFORMANCE



## FREQUENCY BANDS

VHF: 136 – 174 MHz

UHF: 400– 470 MHz

## OUTPUT POWER

1-100W

## DUTY CYCLE

Up to 100%

## DIMENSIONS

Height: 2U

89 x 483 x 438 mm  
(3.5 x 19 x 17.25 in)

Weight: 14.1 kg  
(31 lbs)

## CHANNEL CAPACITY

64

## DURABILITY

-30 °C to +60 °C (-22 °F to +140 °F)



# SPECIFICATIONS



	SLR 8000	MTR3000	SLR 5500
<b>Weight (excl options)</b>	<b>14.1 kg (31 lbs)</b>	<b>19 kg (40 lbs)</b>	<b>8.6kg (19 lbs)</b>
<b>Size</b>	<b>2U</b>	<b>3U</b>	<b>1U</b>
<b>Speaker/MIC</b>	<b>Yes</b>	<b>Yes</b>	<b>No</b>
<b>Altitude Spec</b>	<b>5,000 m (16,000 ft)</b>	<b>5,000 m (16,000 ft)</b>	<b>2,000 m (6,500 ft)</b>
<b>Sealed Power Supply</b>	<b>Yes</b>	<b>Yes</b>	<b>No</b>
<b>Input Current (AC) (Tx Full Power / Standby)</b>	<b>1.1 / 0.3 A</b>	<b>1.9 / 0.4 A</b>	<b>0.9 / 0.25 A</b>
<b>DC Power Option</b>	<b>12 and 24 V</b>	<b>24 V</b>	<b>12 V</b>
<b>Channel Capacity</b>	<b>64</b>	<b>16</b>	<b>64</b>
<b>Integrated Battery Charger</b>	<b>Yes (5A)</b>	<b>No</b>	<b>Yes (3A)</b>
<b>Integrated Wireline option</b>	<b>Yes</b>	<b>Yes</b>	<b>No</b>

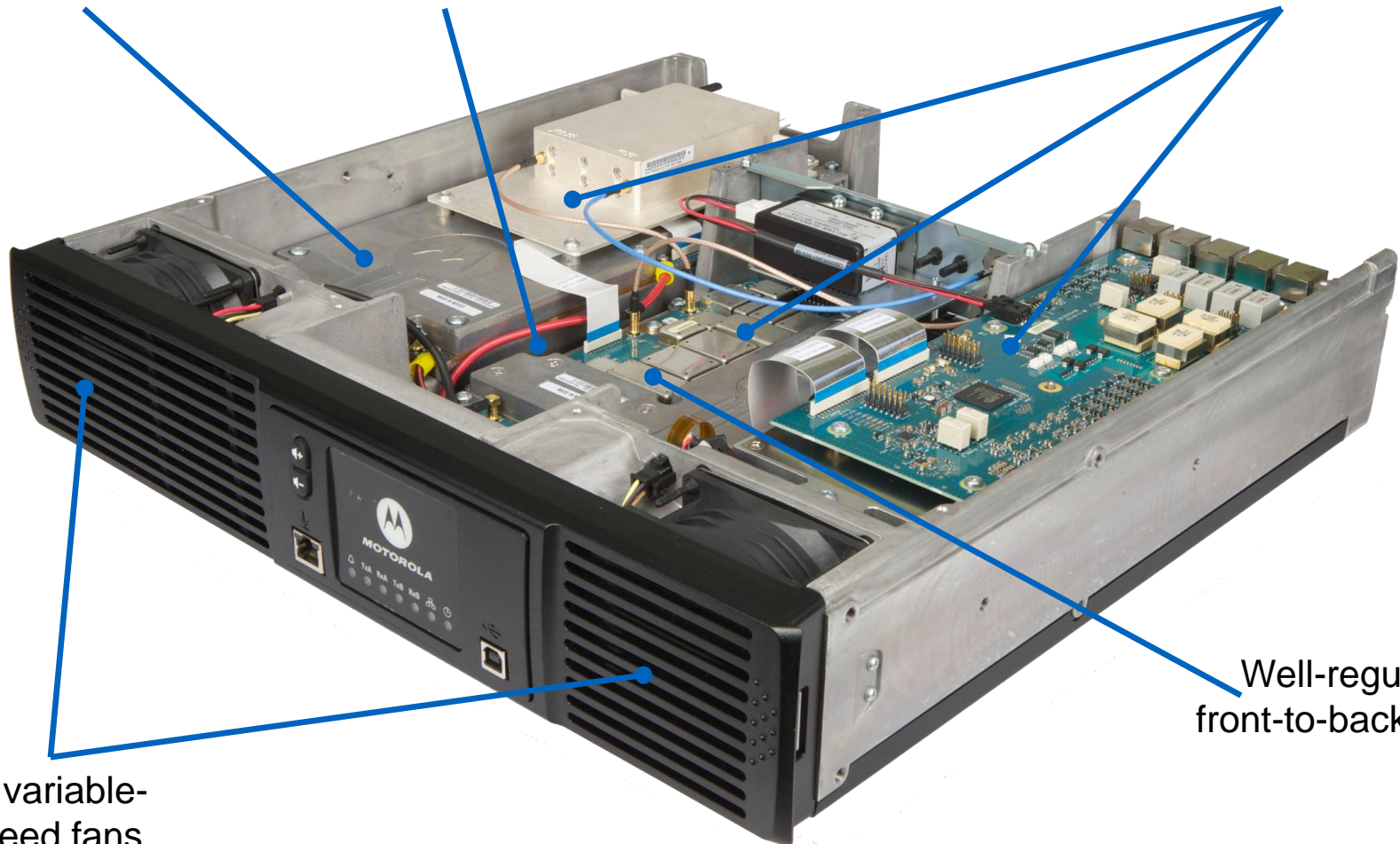
# DESIGNED FOR RELIABILITY



High-efficiency, cool-running Power Amplifier

Modular design

3x temperature sensors (1 per major FRU)



Well-regulated front-to-back airflow

2x variable-speed fans

Whilst care has been taken to ensure the accuracy of the information contained in this bulletin, Motorola Solutions retains the right to make changes at any time without notice. Motorola, Moto, Motorola Solutions and the Stylized M Logo are trademarks or registered trademarks of Motorola Trademark Holdings, LLC and are used under license. All other trademarks are the property of their respective owners. © 2016 Motorola Solutions, Inc. All rights reserved.

# DESIGNED FOR SERVICEABILITY



Entitlement IDs associated with chassis, not modules

Slim 2U design. No requirement for rack space above or below

Integrated carrying handle



Fans removable from front, via clip-on panel

Integrated speaker and volume control

USB Service interface

Microphone input



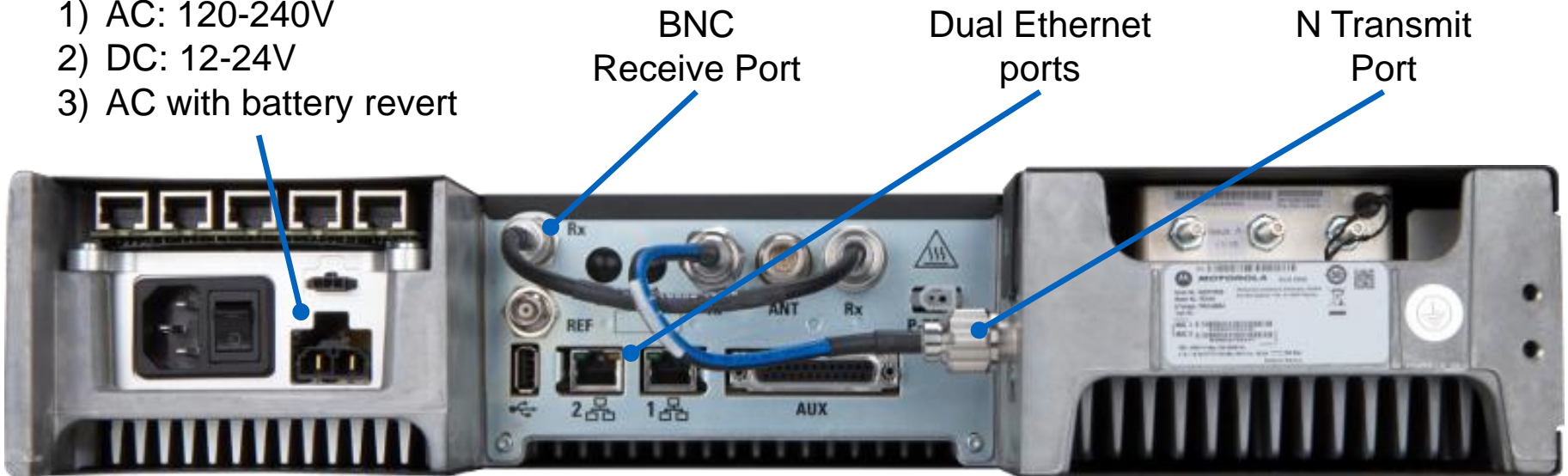
# DESIGNED FOR FLEXIBILITY

## System Compatibility:

- Analogue Conventional, Analogue Voting (requires Wireline Card)
- Digital (MOTOTRBO): DMR Tier II Conventional Single Site, DMR Tier III trunking, IP Site Connect, Capacity Plus Single Site & Multi Site, Capacity Max, Connect Plus
- LTR / Passport / MPT1327 Trunking

## Power input options:

- 1) AC: 120-240V
- 2) DC: 12-24V
- 3) AC with battery revert



Unit shown with optional Wireline Card, Antenna Relay and Internal Pre-selector

# FLEXIBLE OPTIONS

## Wireline Card

Tone, DC and E&M Remote Control  
4-wire and 2-wire balanced audio connection  
Required for Analogue Voting  
Tn-n R Functionality  
2x RJ45 Audio Connector  
3x additional RJ45 GPIO connectors  
(future use)



## Analogue Voting

## Internal Preselector

Rejects unwanted signals  
Prevents receiver overloading  
Can be retuned in the field  
Mandatory when duplexer option is ordered.



## Local Audio

Uses internal speakers and volume control  
Requires external microphone  
Single timeslot only

## Antenna Relay

Allows single antenna for receive and transmit  
Base station operation only



## External Duplexers

Common to MTR 3000

# SLR 8000 SERIES REPEATER

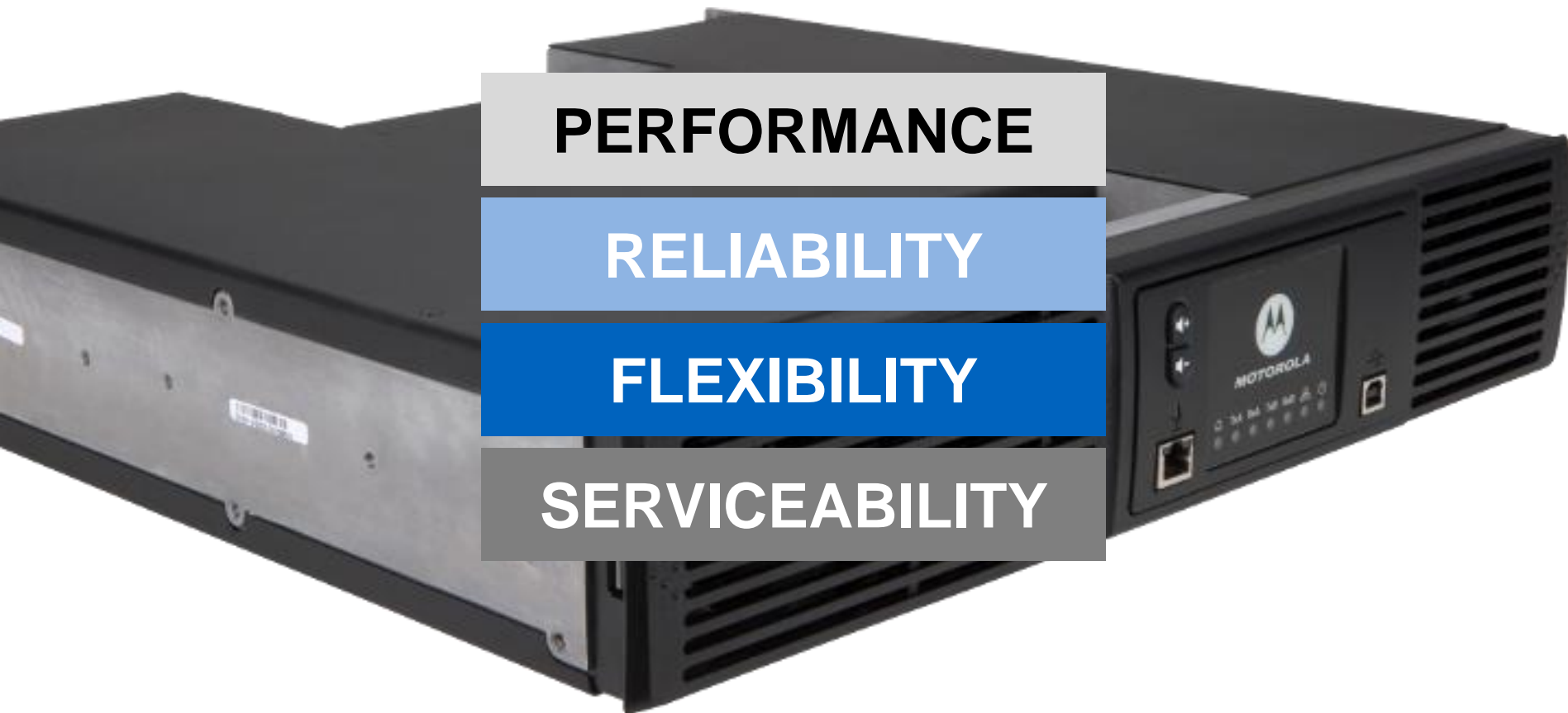


**PERFORMANCE**

**RELIABILITY**

**FLEXIBILITY**

**SERVICEABILITY**



**THANK YOU**