

**D
O
O
W
N
K
E
N
W
O
O
D**

TKR-D710/TKR-D810

VHF DIGITAL REPEATER/ UHF DIGITAL REPEATER
INSTRUCTION MANUAL

RELAIS NUMÉRIQUE VHF/RELAIS NUMÉRIQUE UHF
MODE D'EMPLOI

REPETIDOR DIGITAL VHF/ REPETIDOR DIGITAL UHF
MANUAL DE INSTRUCCIONES

RIPETITORE DIGITALE VHF/ RIPETITORE DIGITALE UHF
MANUALE DI ISTRUZIONI

VHF DIGITAL REPEATER/ UHF DIGITAL REPEATER
BEDIENUNGSANLEITUNG

VHF DIGITALE REPEATER/ UHF DIGITALE REPEATER
GEBRUIKSAANWIJZING

VHF DİJİTAL TEKRARLAYICI/ UHF DİJİTAL TEKRARLAYICI
KULLANIM KILAVUZU

ΨΗΦΙΑΚΟΣ ΕΝΙΣΧΥΤΗΣ VHF/ ΨΗΦΙΑΚΟΣ ΕΝΙΣΧΥΤΗΣ UHF
ΟΔΗΓΙΕΣ ΧΡΗΣΗΣ

ЦИФРОВОЙ РЕТРАНСЛЯТОР VHF/ ЦИФРОВОЙ РЕТРАНСЛЯТОР UHF
РУКОВОДСТВО ПОЛЬЗОВАТЕЛЯ

JVCKENWOOD Corporation

© B5A-0005-00 (E)

TKR-D710/TKR-D810

INSTRUCTION MANUAL

KENWOOD

JVCKENWOOD Corporation

THANK YOU!

We are grateful you purchased this **KENWOOD** repeater. We believe this easy-to-program repeater will be highly effective in your communications system, and will keep personnel operating at peak efficiency.

PRECAUTIONS

- Do not expose the unit to rain or moisture; to prevent fire or electric shock.
- Do not open the unit under any circumstances; to avoid risk of electric shock.
- Do not expose the unit to long periods of direct sunlight, nor place it close to heating appliances.
- Do not place the unit in excessively dusty and/or humid areas, nor on unstable surfaces.
- If you detect an abnormal odor or smoke coming from the unit, disconnect the power from the unit immediately. Contact your **KENWOOD** service center or dealer.

NOTICES TO THE USER

- ◆ Government law prohibits the operation of unlicensed radio transmitters within the territories under government control.
- ◆ Illegal operation is punishable by fine and/or imprisonment.
- ◆ Refer service to qualified technicians only.



- ◆ This repeater is intended for use as a fixed base station with the antenna located outdoors on the rooftop or on an antenna tower.
- ◆ This repeater is designed for a 13.2 V DC power source! Never use a 24 V DC or higher source to power the repeater.
- ◆ Use only the supplied DC cord.
- ◆ Do not remove the ferrite core attached to the DC cord. Doing so may cause interference with radio communications.

Information on Disposal of Old Electrical and Electronic Equipment and Batteries (applicable for countries that have adopted separate waste collection systems)



Products and batteries with the symbol (crossed-out wheeled bin) cannot be disposed as household waste. Old electrical and electronic equipment and batteries should be recycled at a facility capable of handling these items and their waste by products. Contact your local authority for details in locating a recycle facility nearest to you.



Proper recycling and waste disposal will help conserve resources whilst preventing detrimental effects on our health and the environment.

Notice: The sign "Pb" below the symbol for batteries indicates that this battery contains lead.

NOTIFICATION

This equipment complies with the essential requirements of Directive 1999/5/EC.

The use of the warning symbol means the equipment is subject to restrictions of use in certain countries.

This equipment requires a licence and is intended for use in the countries as below.

AT	BE	DK	FI	FR	DE	GR	IS	IE
IT	LI	LU	NL	NO	PT	ES	SE	CH
GB	CY	CZ	EE	HU	LV	LT	MT	PL
SK	SI	BG	RO	HR				

ISO3166

Firmware Copyrights

The title to and ownership of copyrights for firmware embedded in **KENWOOD** product memories are reserved for **JVC KENWOOD Corporation**.

UNPACKING AND CHECKING EQUIPMENT

Note: The following unpacking information is for use by your **KENWOOD** dealer, an authorized **KENWOOD** service center, or the factory.

Carefully unpack the repeater. We recommend that you identify the items listed in the following table before discarding the packing material. If any items are missing or have been damaged during shipment, file a claim with the carrier immediately.

Item	Part Number	Quantity
Hardware fixture	J21-8559-XX	1
Front glass	B10-2635-XX	1
Name plates	B11-1259-XX	1
Cushion	G13-1801-XX	4
Cushion	G13-1802-XX	4
Foot	J02-0475-XX	2
Foot	J02-0492-XX	2
Grommet	J59-0302-XX	2
Handle	K01-0418-XX	1
Screws	N30-4006-XX	2
Screws	N35-3006-XX	5
DC cord	E30-3427-XX	1
Lead wire with connector (15 pin)	E31-3228-XX	1
Fuse	F05-1537-XX	1
Instruction Manual	B5A-0005-XX	1

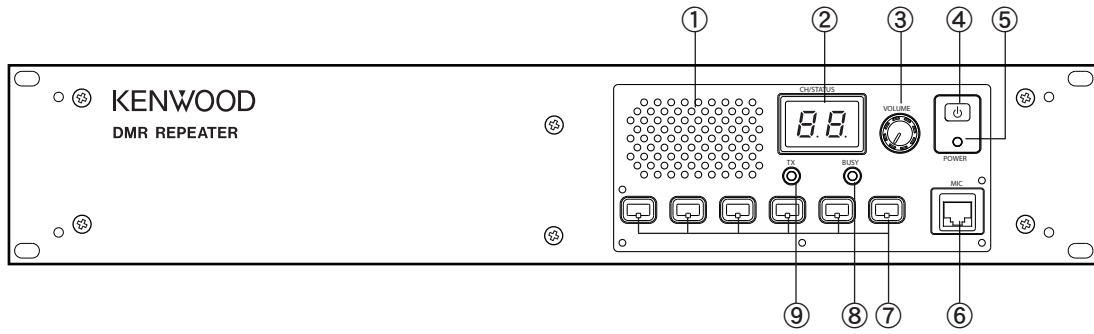
INSTALLATION

To install the handles onto the front panel of the repeater, align the handles with the holes on the front panel, then secure the handles using the supplied screws.

Please consult your dealer for installing the repeater and antenna.

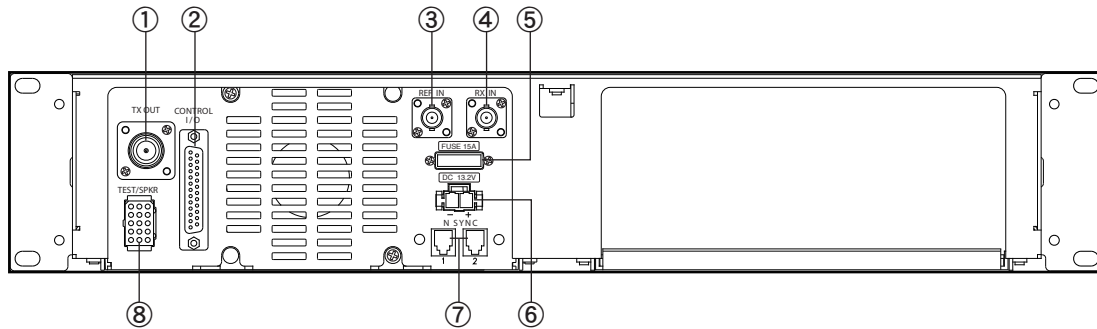
CONTROLS AND FUNCTIONS

■ Front Panel



- ① **Speaker**
- ② **CH/STATUS Display**
Two 7-segment digits display the channel number, name, or status.
- ③ **VOLUME control**
Rotate to adjust the audio.
- ④ **POWER switch**
- ⑤ **POWER indicator**
Lights green when power is supplied to the DC 13.2V jack.
- ⑥ **MIC jack**
Connect a microphone to this 8-pin modular jack.
- ⑦ **Programmable Function keys**
Press these keys to activate their programmable functions.
- ⑧ **BUSY indicator**
Lights green while a signal is being received.
- ⑨ **TX indicator**
Lights red while transmitting.

■ Rear Panel



- ① **TX OUT jack**
Connect a TX antenna or a duplexer to this receptacle.
- ② **CONTROL I/O jack**
Connect a repeater controller or a remote panel to this DB-25 interface.
- ③ **REF IN jack**
This jack is currently not used.
- ④ **RX IN jack**
Connect an RX antenna or a duplexer to this BNC receptacle.
- ⑤ **FUSE**
Insert 15 A blade fuse into this fuse holder.
- ⑥ **DC 13.2V jack**
Connect a 13.2 V DC power supply to this jack.
- ⑦ **N SYNC 1 / 2 jack**
This jack is currently not used. Future functions include connecting another repeater or optional device.
- ⑧ **TEST/SPKR jack**
Test input/output jack. Connect an external speaker to this jack.

REPEATER OPERATION

Note:

- ◆ Please consult your dealer for programming the repeater.
- ◆ After switching the power on, the CH/STATUS display blinks for approximately 30 seconds, until the internal circuit stabilizes. Wait until the display remains lit, before operating.

When power is applied to the unit, the **POWER** indicator lights:

- Green when using the DC jack.

The **BUSY** indicator lights green while receiving a signal and the **TX** indicator lights red while transmitting.

TRANSCEIVER OPERATION (Analog mode only)

■ Receive

Adjust the volume to your desired level. You may need to readjust the volume if you are having interference while receiving a message from your dispatcher or another member in your fleet.

The **BUSY** indicator lights green while a signal is being received.

■ Transmit

- 1 Listen to the channel before transmitting, to make sure it is not being used.
- 2 Press the microphone **PTT** switch, then speak in your normal speaking voice.
The **TX** indicator lights red while transmitting.
- 3 When you finish speaking, release the **PTT** switch.

KENWOOD